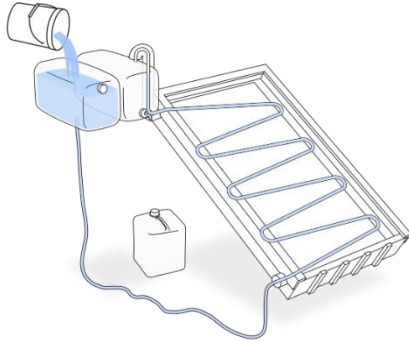


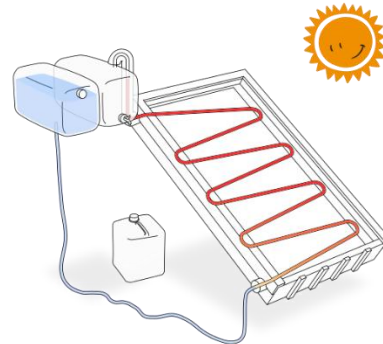
# User Manual

SoWaDi – Solar thermal water disinfection

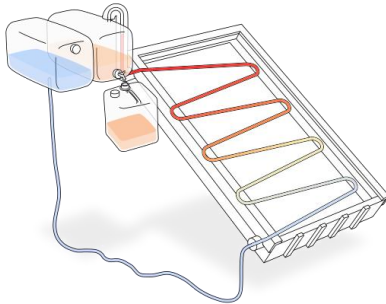
1 Fill the input tank with water



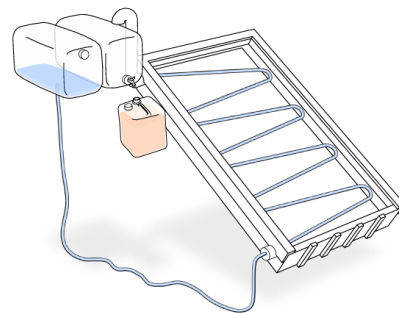
2 Let the system work



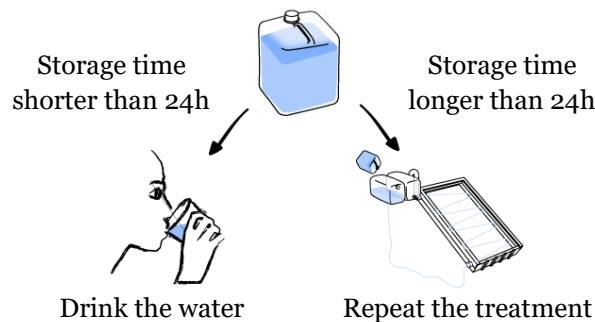
3 Extract drinkable water



4 Empty the output tank



5 Consume bottled water within one day



- If the unit is exposed to the sun without enough water in the input tank, the system can get extremely hot and will be possibly damaged by overheating. To prevent damage:
  - have enough water in the input tank, OR
  - cover the whole unit with an opaque sheet/foil, OR
  - simply relocate the system to a shady place.
- Make sure the glass panes are always clean. Cleanse them carefully in case of any dirt or dust.
- Make sure the tanks are always clean, too. Purge them carefully in case of any soiling.
- Be aware that the whole unit is leakproof and no water is dripping anywhere.
- Just use clean and tightly closable tanks, preferably with a tap.
- Avoid touching the clean water with hands or used/not-cleaned cups!